



SPT

Static Pitot Tubes (Aluminum)

The SPT is an Aluminum Static Pressure (Aspiration) probe used to monitor the static pressure in an HVAC duct or equipment application. The static pressure probe should be mounted approximately 5 to 8 duct diameters downstream from elbows, obstructions, or large change in duct area to reduce the amount of turbulence that will affect your readings.

Applications: Used to monitor fan operation, filter blockage, or reduced air flow with little or no static pressure in non-critical applications

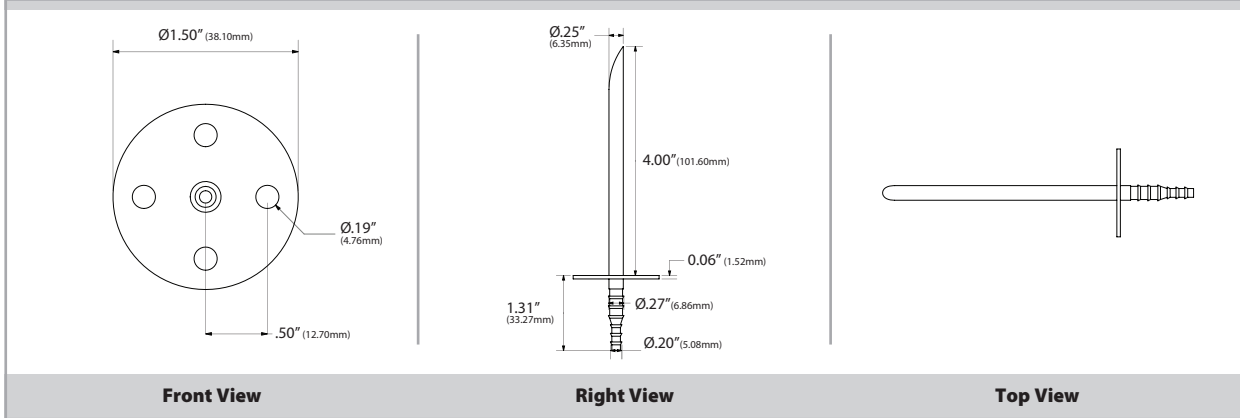
PRODUCT SPECIFICATIONS

Tubing Connection Tubing Size:	45° Barbed Type (6 Places), accepts 1/8" through 1/4" ID flexible plastic tubing
Probe Insertion Length & Sensing Points:	SPT: 3.5" (88.9 mm) Single Point SPT-8.0" : 8" (203.2 mm) Single Point
Tube Mounting Direction:	Tip opens parallel to the air stream
Static Tube Mounting Angle:	Perpendicular to the duct (90 Degrees +/- 3 Degrees)
Mounting Flange (Diameter):	1.50" (38.1 mm)
Measurement Probe Hole Size (Diameter):	9/16" (14.3 mm)
Mounting Holes (Diameter):	3/16" (4.76 mm)
Material:	Aluminum
Operating Temperature Range:	40°F to 160°F (4°C to 71°C)
Storage Temperature Range:	-40 to 185°F (-40°C to 85°C)
Operating Humidity Range:	0 to 90% RH non-condensing
Weight:	SPT: 0.022 lbs (10g) SPT-8" : 0.034 lbs (15.4g)
Agency Approvals:	RoHS2, WEEE, Reach





DIMENSIONAL DRAWING



STANDARD ORDERING

Model # Example: **A/SPT-8"** -OR- **108976**

Model #	Item #	Insertion Length	Sensing Points
SPT-3.5"	102957	3.5" (88.9 mm)	1
SPT-8.0"	108976	8" (203.2 mm)	1

ACCESSORIES ORDERING

Model # Example: **A/10'TUBE** -OR- **126606**

Model #	Item #	Description	Color
A/10' TUBE	126606	10' Medical Tubing Kit, 1/8" ID x 1/4" OD	Clear
A/20' TUBE	132226	20' Medical Tubing Kit, 1/8" ID x 1/4" OD	Clear
A/100' TUBE	136018	100' Medical Tubing Kit, 1/8" ID x 1/4" OD	Clear

